

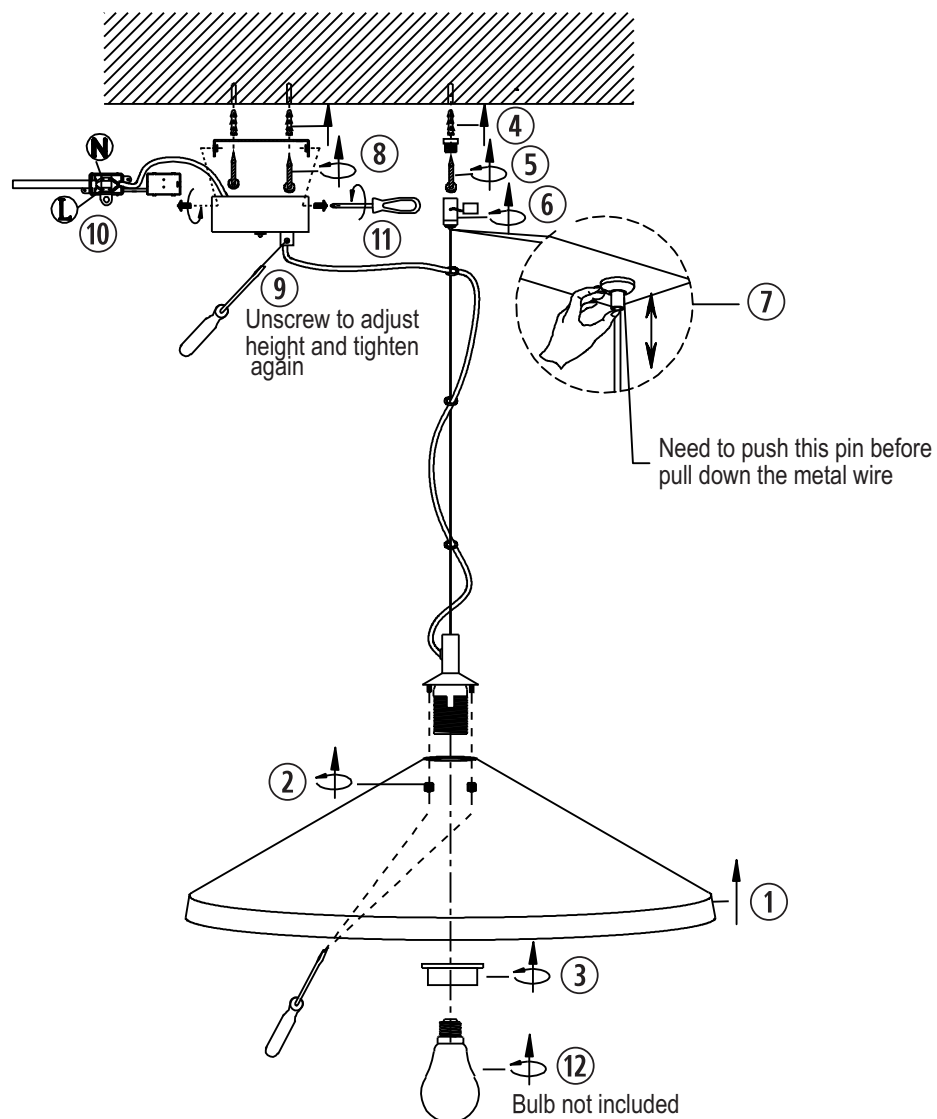
IT'S ABOUT RoMi[®]

C I T Y L I G H T S

There are 2 different methods to hang the lamp:

page 1

Option 1 (If the position of the fixture box is not exactly at the right spot)



MONTREUX HANGING LAMP

- material: iron
- socket: E27
- maximum watt: 40W



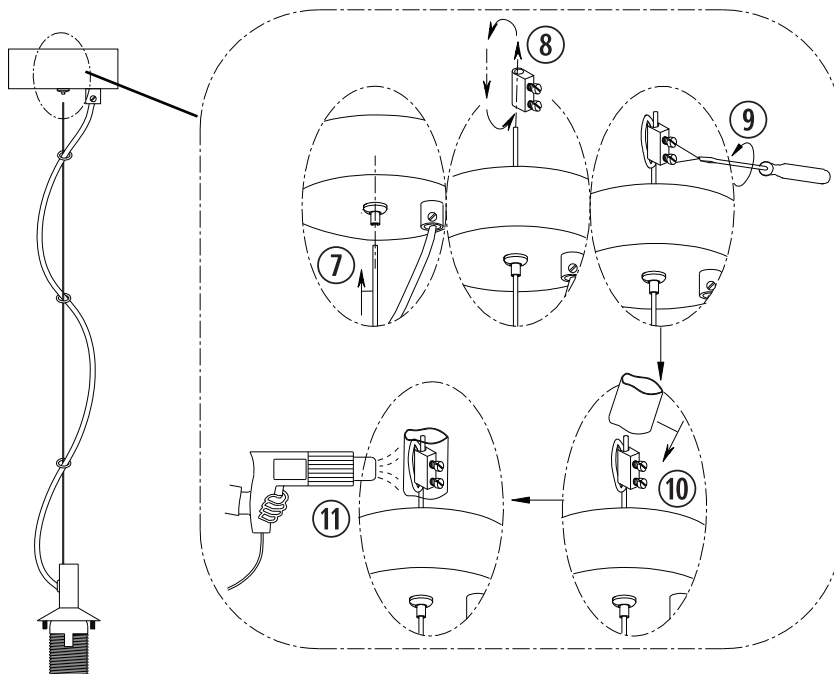
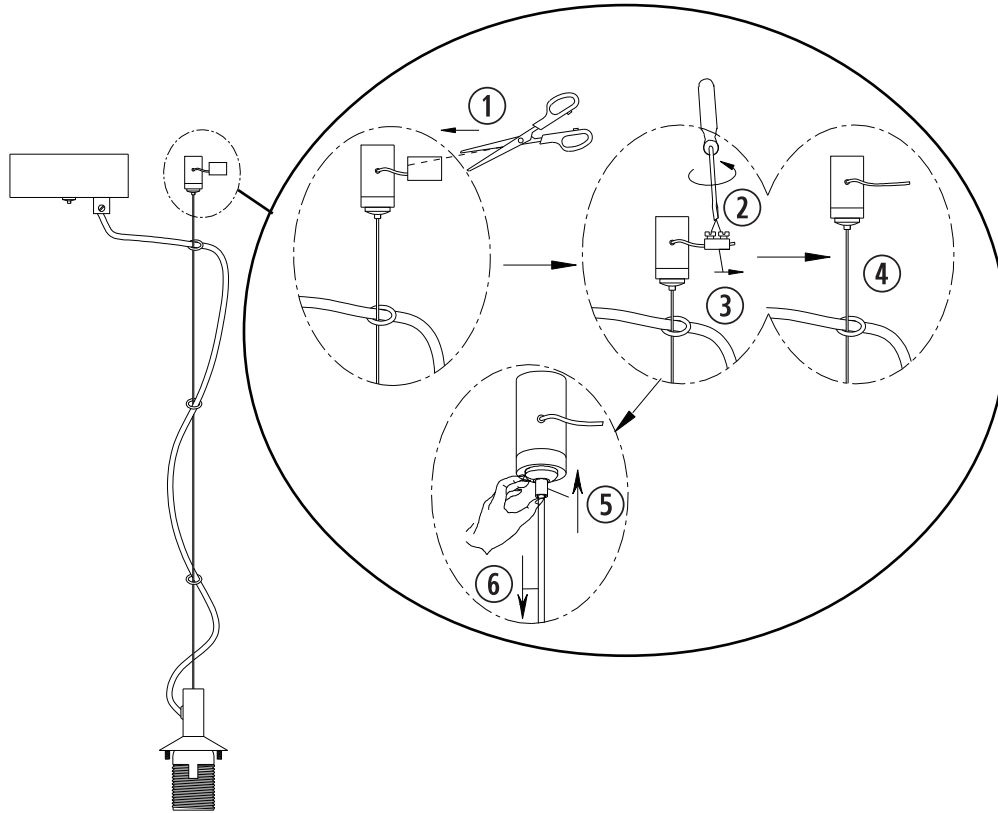
Please note: only a qualified electrician is allowed to install the lamp or extend the electrical wiring.

Have a lot of
bright days with
your lamp!
XXX

IT'S ABOUT RoMi[®]

C I T Y L I G H T S

Option 2, PART 1 (If the position of the fixture box is already at the right spot) page 2



Have a lot of
bright days with
your lamp!

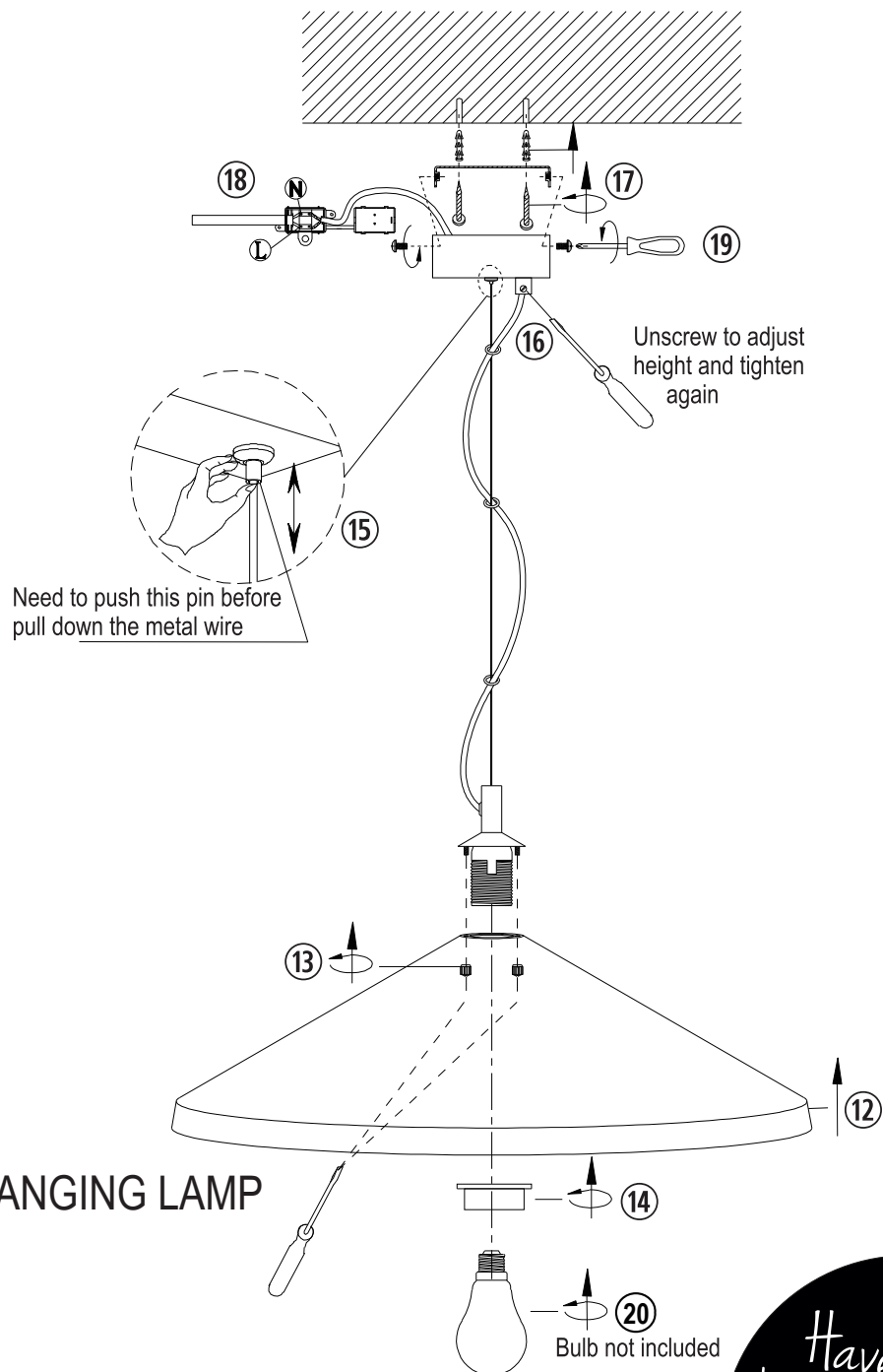
XXX

A CONCEPT OF URBAN LIGHTING
WWW.ITSABOUTROMI.NL

IT'S ABOUT RoMi[®]

C I T Y L I G H T S

Option 2, PART 2 (If the position of the fixture box is already at the right spot) page 3



MONTREUX HANGING LAMP

- material: iron
- socket: E27
- maximum watt: 40W



Please note: only a qualified electrician is allowed to install the lamp or extend the electrical wiring.

*Have a lot of
bright days with
your lamp!*

XXX

A CONCEPT OF URBAN LIGHTING
WWW.ITSABOUTROMI.NL