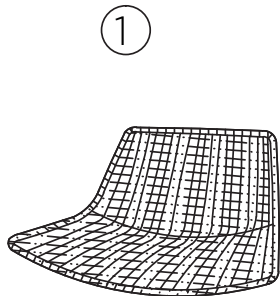
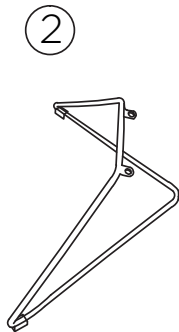


# WEAVE

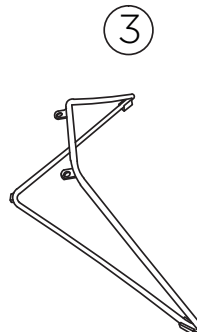
## Chair



1PC



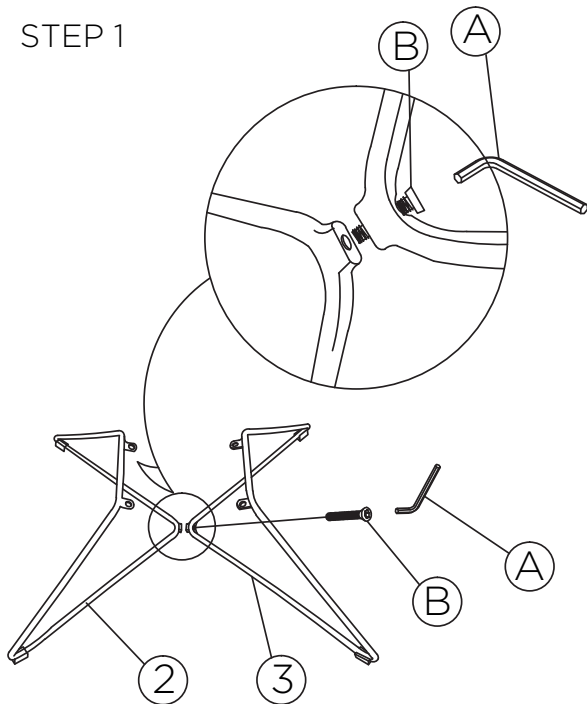
LEFT  
1PC



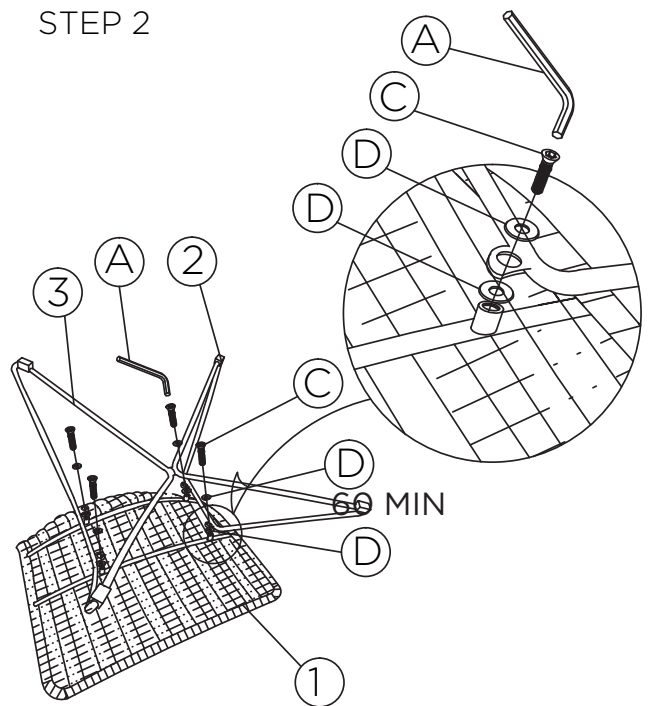
RIGHT  
1PC

- (A) M4 1PC
- (B) 1PC  
M6x25mm
- (C) 4PCS  
M6x15mm
- (D) 8PCS

STEP 1



STEP 2



STEP 3

