


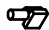





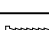
KVIT 07

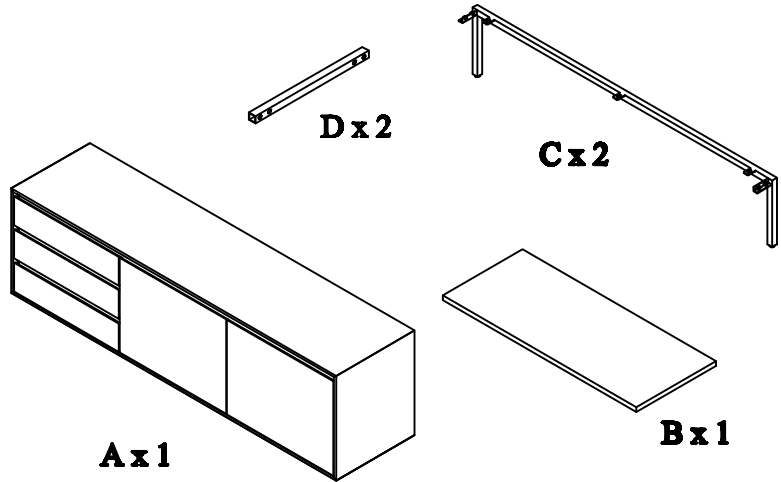
SIDEBOARD - ASSEMBLY INSTRUCTIONS
BUFFET - INSTRUCTIONS DE MONTAGE

HARDWARE LIST / QUINCAILLERIE

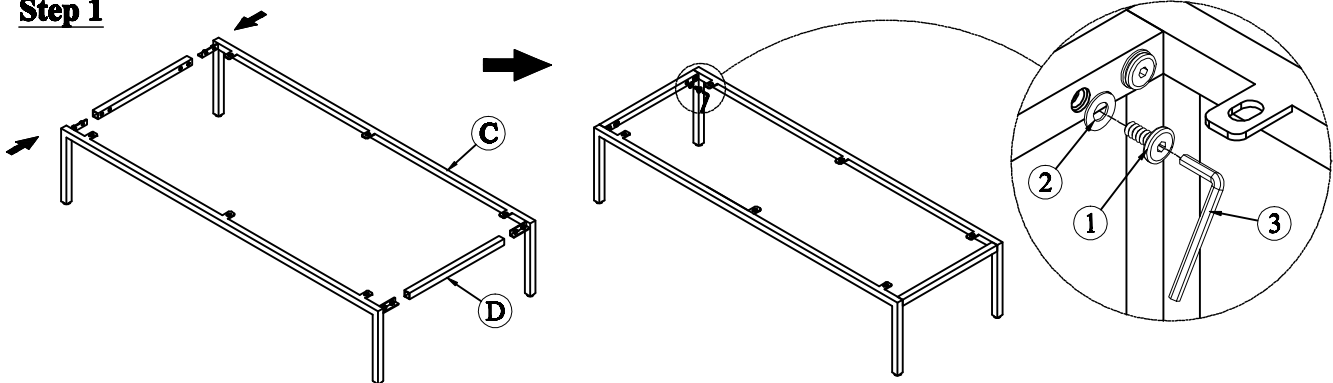
| No. | Detail | Q |
|-----|--|--------|
| ① | M6x25  | 14 Pcs |
| ② | M8xØ19  | 14 Pcs |
| ③ | K4  | 01 Pc |
| ④ |  | 08 Pcs |

ANTI TIPPING KIT / KIT DE SECURITE
ANTI-BASCULEMENT

| No. | Detail | Q |
|-----|---|--------|
| ⑤ |  | 04 Pcs |
| ⑥ | M4x30  | 08 Pcs |
| ⑦ |  | 02 Pcs |
| ⑧ |  | 04 Pcs |



Step 1



Step 2

