







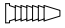
KVIT 06

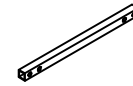
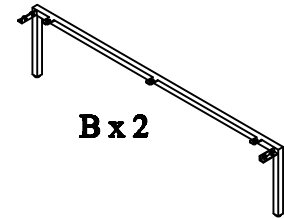
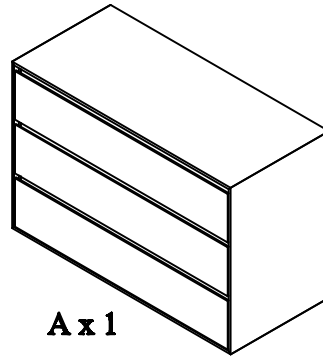
CHEST OF DRAWERS - ASSEMBLY INSTRUCTIONS
COMMODE - INSTRUCTIONS DE MONTAGE

HARDWARE LIST / QUINCAILLERIE

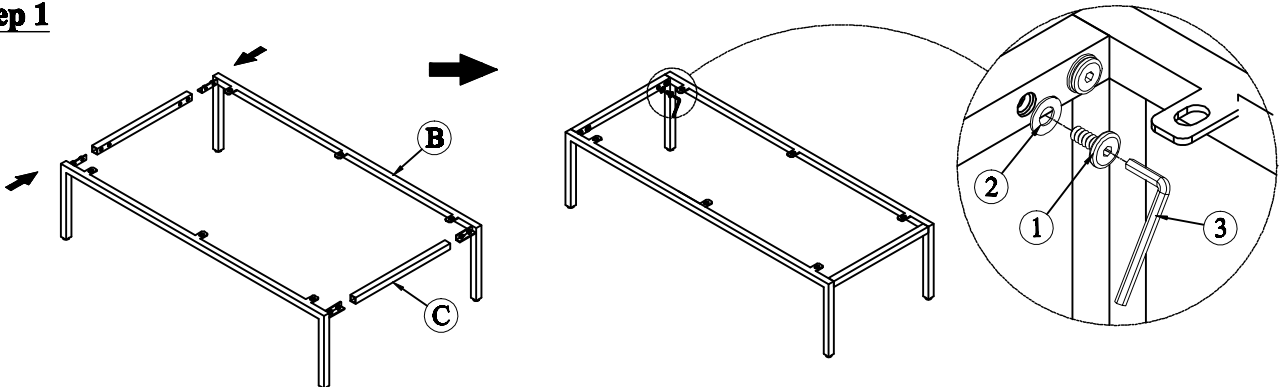
No.	Detail	Q
①	M6x25 	14 Pcs
②	M8xØ19 	14 Pcs
③	K4 	01 Pc

ANTI TIPPING KIT / KIT DE SECURITE
ANTI-BASCULEMENT

No.	Detail	Q
④		04 Pcs
⑤	M4x30 	08 Pcs
⑥		02 Pcs
⑦		04 Pcs



Step 1



Step 2

