








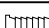
# KVIT 05

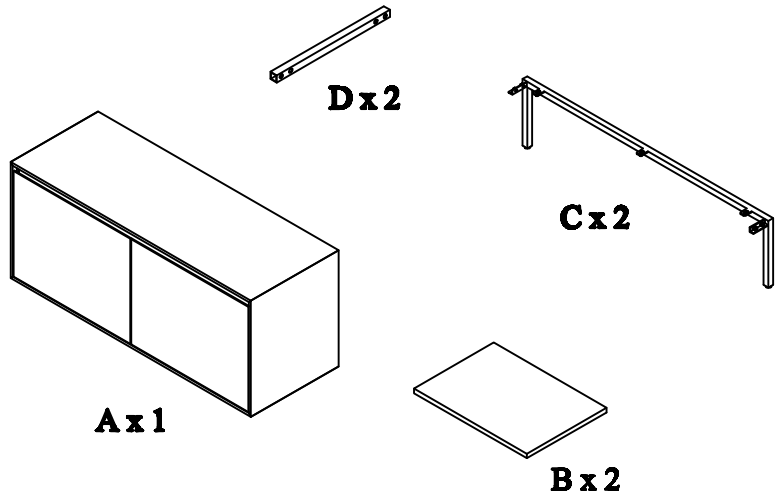
**SIDEBOARD - ASSEMBLY INSTRUCTIONS**  
**BUFFET - INSTRUCTIONS DE MONTAGE**

## HARDWARE LIST / QUINCAILLERIE

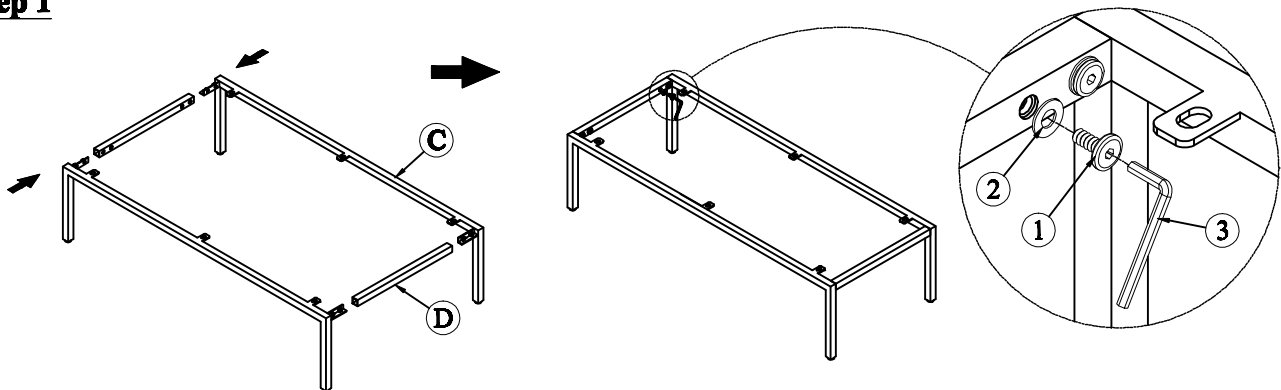
No.	Detail	Q
①	M6x25 	14 Pcs
②	M8xØ19 	14 Pcs
③	K4 	01 Pc
④		08 Pcs

## ANTI TIPPING KIT / KIT DE SECURITE ANTI-BASCULEMENT

No.	Detail	Q
⑤		04 Pcs
⑥	M4x30 	08 Pcs
⑦		02 Pcs
⑧		04 Pcs



### Step 1



### Step 2

