



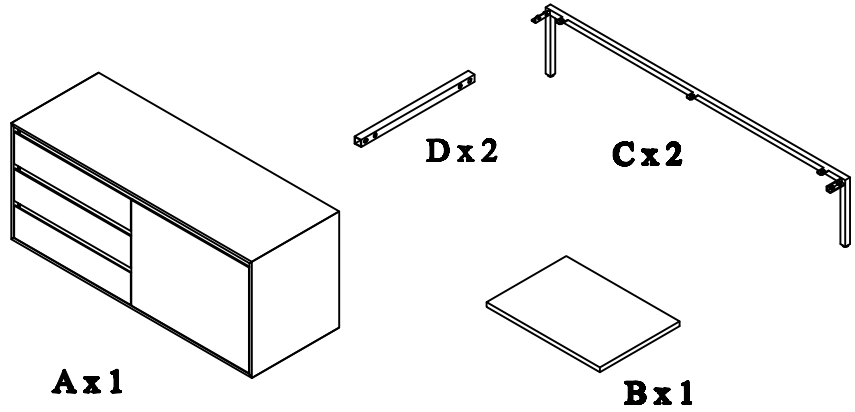


KVIT 03

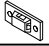


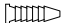
SIDEBOARD - ASSEMBLY INSTRUCTIONS
BUFFET - INSTRUCTIONS DE MONTAGE

HARDWARE LIST / QUINCAILLERIE

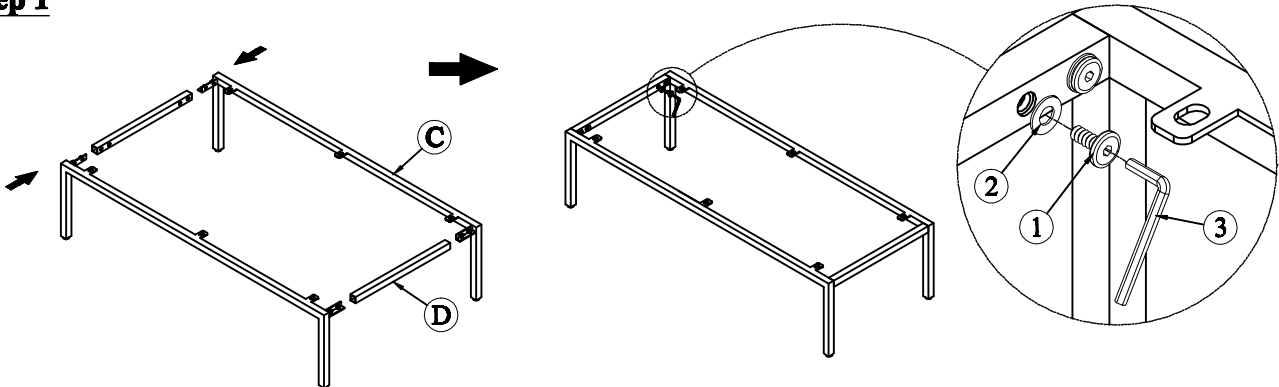
No.	Detail	Q
①	M6x25 	14 Pcs
②	M8xØ19 	14 Pcs
③	K4 	01 Pc
④		08 Pcs



ANTI TIPPING KIT / KIT DE SECURITE
ANTI-BASCULEMENT

No.	Detail	Q
⑤		04 Pcs
⑥	M4x30 	08 Pcs
⑦		02 Pcs
⑧		04 Pcs

Step 1



Step 2

